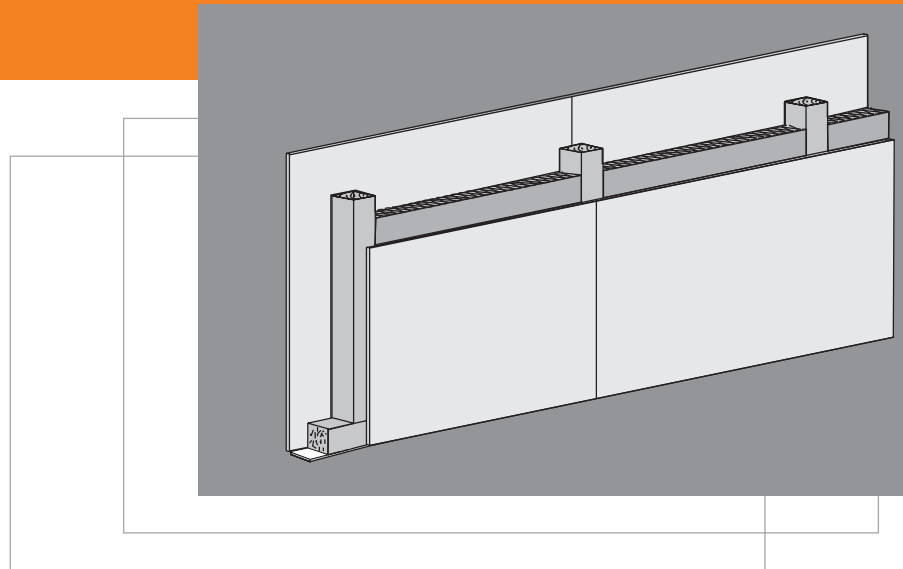


## FERMACELL Partition

# 1 H 22

Fire Protection: F 60

Sound Insulation: 44 dB



### Description.

FERMACELL is a high performance, multipurpose building board that combines in a single product exceptional fire, impact and moisture resistant properties with high levels of acoustic insulation and weight carrying capacity. The simple squeegee-applied FST finishing system eliminates plastering trades and dries in 30 minutes.

### Specification and Use.

FERMACELL is a dense, homogenous, square edged board that is butt-jointed using FERMACELL Jointstik adhesive. The board is fixed to timber studwork (PSE min 75 mm deep and with a 50 mm fixing face) using FERMACELL screws or galvanised, resinated staples.

The rigid nature of FERMACELL means that noggins are not usually necessary and that the board can be used for racking purposes.

Full installation details are given in the FERMACELL Handy Guide. NBS specifications and Autocad drawings are also available.

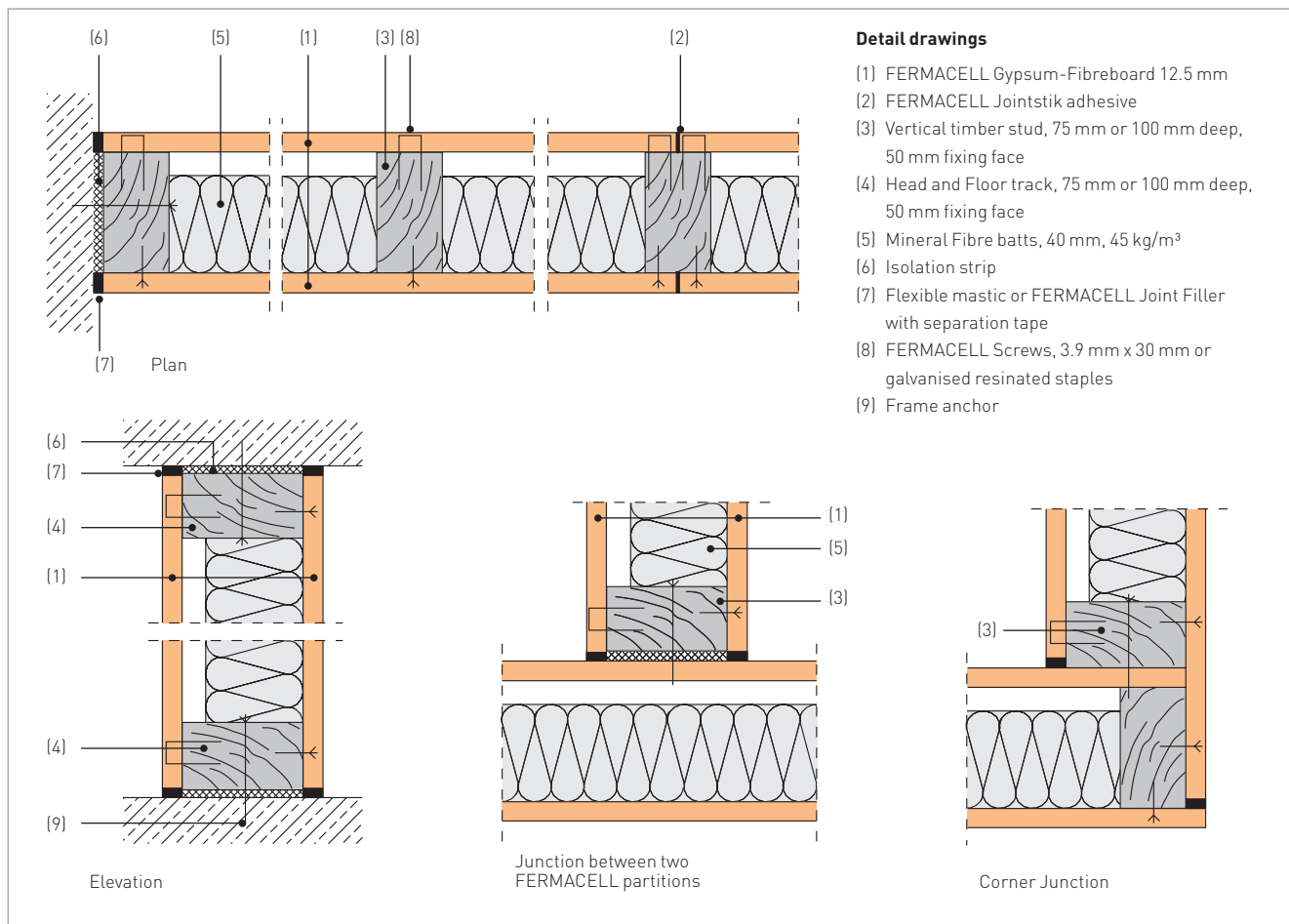
### Technical Data:

Boarding each side	FERMACELL board, 12.5 mm	
Mineral Fibre Insulation	40 mm thick, 45 kg/m <sup>3</sup>	
Fire Protection (BS 476 Part 22)	F 60	
Sound Insulation	R <sub>w</sub> 44 dB	
Thermal Resistance	0.81 m <sup>2</sup> K/W	
Coefficient of Heat Transmission	0.75 W/m <sup>2</sup> K	
Weight of Wall	approx 38 kg/m <sup>2</sup>	
Weight carrying ability	Ø 8 Wallplug	500 N
	Ø 5 Screw	300 N

# FERMACELL Partition 1 H 22

Fire Protection: F 60

Sound Insulation: 44 dB



## Maximum wall height (metres):

Stud depth (mm)	Stud centres (mm)	Wall height (mm)
75	600	3.00
100	600	4.00

A FERMACELL 1 H 22 partition is F 60 rated up to 4.0 m high, depending on stud specification. For the maximum wall height, see table. These ratings are based on severe usage.

Other construction details and technical information sheets are available from XELLA.

This publication contains detailed instructions for the correct installation of FERMACELL partitions.

We reserve the right to make changes in the interest of technical improvement.

All information correct as at 08.03

Xella Dry Lining Systems  
P.O. Box 10028  
Sutton Coldfield B72 1WG

Telephone: 0870 - 6090306  
Telefax: 0870 - 2402948  
www.fermacell.co.uk