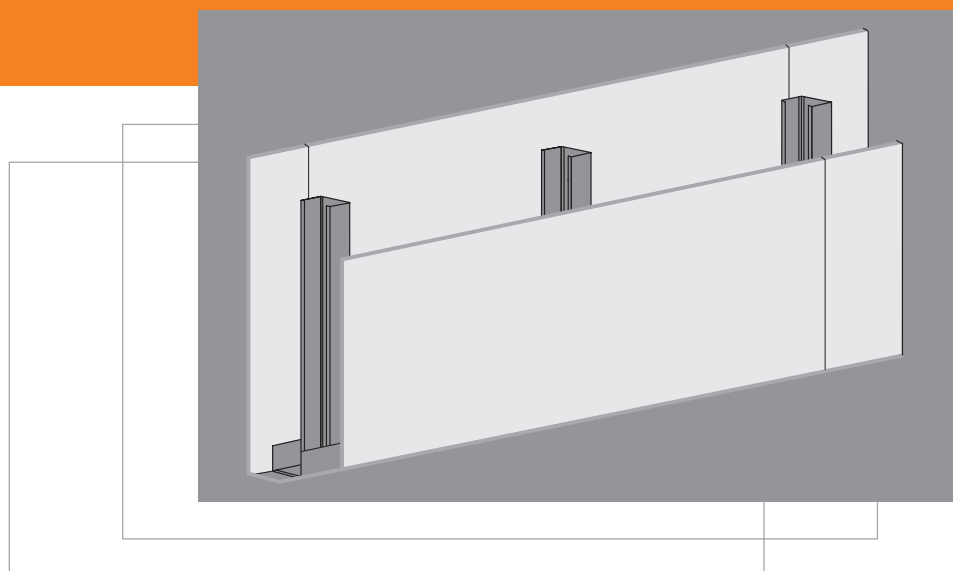


FERMACELL Partition

1 S 15

Fire Protection: F 30

Sound Insulation: 42 dB



Description.

FERMACELL is a high performance, multipurpose building board that combines in a single product exceptional fire, impact and moisture resistant properties with high levels of acoustic insulation and weight carrying capacity. The simple squeegee-applied FST finishing system eliminates plastering trades and dries in 30 minutes.

Specification and Use.

FERMACELL is a dense, homogenous, square edged board that is butt-jointed using FERMACELL Jointstik adhesive. The board is fixed to steel studwork (min 0.6 mm gauge with a 50 mm fixing face) using FERMACELL screws.

FERMACELL recommend Protektor studwork, which is available from Cornercare (01562 515200).

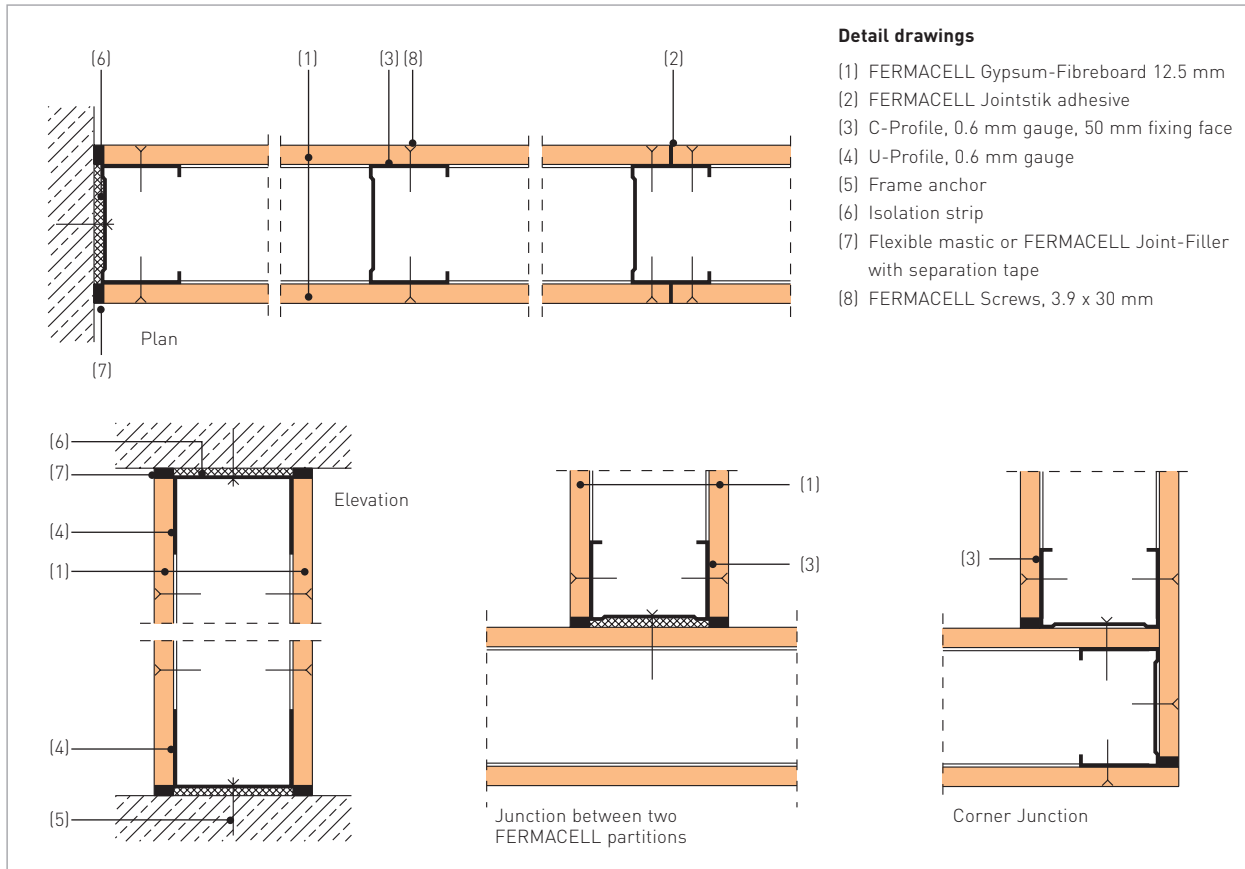
Full installation details are given in the FERMACELL Handy Guide. NBS specifications and Autocad drawings are also available.

Technical Data:

Boarding each side		FERMACELL board, 12.5 mm
Mineral Fibre Insulation		Optional (for sound insulation purposes)
Fire Protection (BS 476 Part 22)		F 30
Sound Insulation		R _w 42 dB
Weight of Wall		approx 30 kg/m ²
Weight carrying ability	Ø 8 Toggle bolt	500 N
	Ø 5 Screw	300 N

FERMACELL Partition 1 S 15

Fire Protection: F 30
Sound Insulation: 42 dB



Wall heights:

Wall thickness [mm]	Substructure		Maximum wall heights [mm]	
	[C-profile]	[U-profile]	Area of application	
100	75/06	75/06	I apartments/hotels/offices/hospitals	II classrooms/lecture rooms/sales areas
125	100/06	100/06	5500	5000
Frame spacing				500 mm
Screw spacing				250 mm

Other construction details and technical information sheets are available from XELLA.

This publication contains detailed instructions for the correct installation of FERMACELL partitions.

We reserve the right to make changes in the interest of technical improvement.

All information correct as at 12.03

Xella Dry Lining Systems
P.O. Box 10028
Sutton Coldfield B72 1WG

Telephone: 0870 - 6090306
Telefax: 0870 - 2402948
www.fermacell.co.uk